

1250AJP ARTICULATING BOOM LIFTS

Platform

- 0.91 m x 2.44 m low mount platform
- Side entry with drop bar mid rail
- Multiple function operation
- Full proportional drive joystick control with integral thumb steer switch
- Full proportional main boom and swing joystick control
- Variable speed dial control for telescope, platform rotate and tower
- 2.44 m articulating jib
- JibPLUS® with 4 way axis jib including 125 degree horizontal motion
- Powered side stow on jib
- 180 degree powered platform rotator
- Platform console machine status light panel ¹
- Load sensing system
- AC power cable to platform

Power & Transmission

- Deutz TD2011L04 (55.9 kW) diesel engine
- Gull-wing turntable hoods
- Swing-out engine tray
- Spark arresting type muffler
- Control ADE® - (Advanced Design Electronics System)
- Adjustable swing drive
- Hydrostatic transmission
- Four wheel drive
- Four wheel steer/Two Wheel Steer/Crab Steer
- Horn

Functional Equipment & Accessories

- Selectable dual platform capacity system (230kg/450kg)
- QuikStik® boom design feature
- Drive-out extending axles
- 5 degree tilt alarm and indicator light
- 445/50D710 foam filled lug tread tyres
- Oscillating front axle
- Lifting/tie down lugs
- Hour Meter
- Ground control selector switch with key lock
- Load Sensing Hydraulics
- Platform tool tray
- 12V-DC auxiliary power

Available Options

- 0.91 m x 1.83 m low mount platform
- Side entry with inward swing gate
- 12 mm air line to platform
- Engine distress warning system ²
- On-board 4,000W generator
- SkyPower® package 7,500 watt on-board generator
- SkyWelder® package 250 amp welder in the platform ³
- SkyGlazier® package glass and panel tray
- Nite-Bright® package ⁴
- All motion alarm
- Alarm Package ⁵
- Light package ⁶
- Flashing amber beacon
- Plugs and sockets
- Hostile environment package ⁷
- Hydraulic oil cooler
- Catalytic Purifier Muffler
- Soft Touch Proximity System
- Corner Storage tray

¹ Provides indicator lights at platform control console for system distress, low fuel, 5 degree tilt light, and foot switch status.

² Low oil pressure and high coolant temperature alarms with shut-down enabled/disabled by analyser.

³ Available when integrated with the SkyPower® package.

⁴ Consists of six 40-watt lights, four turntable mounted lights and two platform mounted lights.

⁵ Includes all-motion alarm and flashing amber beacon.

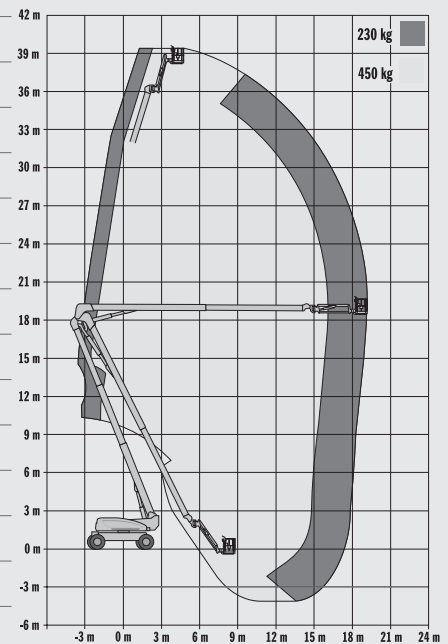
⁶ Includes platform mounted work lights and head & tail lights.

⁷ Includes console cover, boom wipers and cylinder bellows.



1250AJP ARTICULATING BOOM LIFTS

Platform Height	38.30 m
Horizontal Outreach	19.25 m
Up and Over Height	18.44 m
Swing (Continuous)	360°
Platform Capacity – Restricted	450 kg
Platform Capacity – Unrestricted	230 kg
Platform Rotator (Hydraulic)	180°
Jib – Overall Length	2.44 m
Jib - Range of articulation	130° Vertical (+75°/-55°)
JibPLUS® - Range of Articulation	125° Horizontal
A. Platform Size	0.91 m x 2.44 m
B. Overall Width (Axles Retracted)	2.49 m
Overall Width (Axles Extended)	3.81 m
C. Tailswing (working condition)	0.91 m
D. Stowed Height	3.05 m
E. Stowed Length (transport position)	11.46 m
F. Wheelbase	3.81 m
G. Ground Clearance	0.30 m
Machine weight ¹	21,000 kg
Maximum Ground Bearing Pressure	7.03 kg/cm ²
Drive Speed	5.2 km/h
Gradeability	45%
Tyres	445/50D710 Foam Filled
Axle Oscillation	0.30 m
Turning Radius – Inside (Axles Retracted)	4.39 m
Turning Radius – Inside (Axles Extended)	2.44 m
Turning Radius – Outside (Axles Retracted)	6.86 m
Turning Radius – Outside (Axles Extended)	5.89 m
Diesel Engine - Deutz TD2011L04	55.9 kW
Fuel Tank Capacity	117 L
Hydraulic System	390 L
Auxiliary Power	12V DC



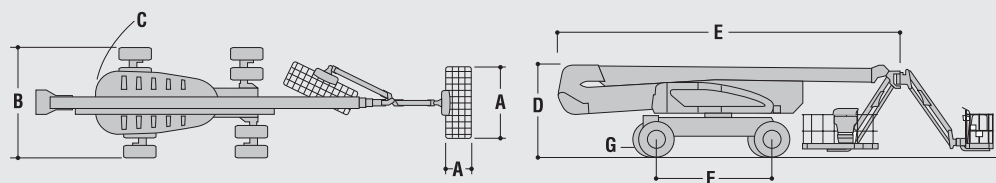
JLG Industries, Inc. is a leading designer and manufacturer of access equipment and complementary services and attachments.

JLG has manufacturing facilities in the United States, France, Romania, China and Belgium. Customers throughout Europe, Scandinavia, Africa and the Middle East benefit from a network of dedicated sales and service operations designed to deliver the highest levels of support.

JLG is an Oshkosh Corporation company.

www.jlgeurope.com

¹ Certain options or country standards may increase weight and/or dimensions.



JLG is continually researching and developing products and reserves the right to make modifications without prior notice. All data in this document is indicative. Certain options or country standards will increase weight. Specifications may change to meet country standards or with the addition of optional equipment.